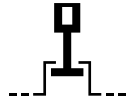
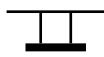
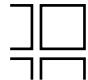

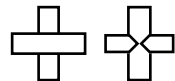


SAS130

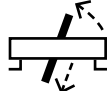


Lay-in, exposed grid modular suspended ceiling system, offering flush or tegular finishes and partitioning integration.

SYSTEM GROUP	GRID
	
Suspended ceiling	Exposed grid – SAS Tee Grid or SAS Alugrid variants

TILE	GRID
	
Lay-in	Butt-cut junctions or precise mitred joints

ACOUSTICS	
0.4 - 1.0	15-45dB
NRC	Dnfw*

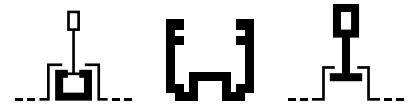
ACCESS	SYSTEM WEIGHT	LIFE EXPECTANCY
	1 3/4 tiles approx. 1lbs/ft² 3/4 tiles approx. 1.5lbs/ft² 1/2 tiles approx. 2.2lbs/ft²	25yr
Lift and tilt	Based on 2' x 2' tiles*	In excess of

*Note SAS products are tested in accordance with UK standard Dnfw this means CAC will be 2-2.5dB greater. For more information, please see page 19.

SAS PLUS

HAVE A QUESTION?

Configurable with other products. Call us. Contact us on enquiries@sasint.us



SAS130 offers either a flush (Alugrid) or tegular (Tee Grid) finish metal ceiling, depending on aesthetic preference. Lay-in tiles are quick to mount and dismount offering simple access to the ceiling void.

The suspended ceiling integrates seamlessly with both partitioning and signage for hassle free installations (Alugrid Q). The system can also form an airtight seal (with Alugrid Cleanseal) for air management and moisture control applications. Typical applications of SAS130 include commercial offices, Data Centres and labs.

Module Sizes (inches)

2' x 2'	Bespoke module sizes and shapes are available on request.
2' x 4'	
2'6" x 2'6"	

Access

The void is completely accessible by removing the lay-in tiles, with no need for specialist tools.

Finishes

SAS130 is available in all standard SAS finishes, please refer to page 110. Bespoke finishes are available on request.

Perforations

Typically supplied with 1522, 1820 or 2516. For our full range of perforations, please refer to page 84. Bespoke perforations are also an option.

Acoustic Materials

Acoustic mineral wool pad with black tissue face, foil back and sides. Other acoustic materials are available, please refer to page 17.

Service Integration

Tiles can be formed with apertures during manufacturing and post painted for integration with lights and other services.

Please note SAS130 can support additional loads up to 6lbs. This is based on a point or uniformly distributed load over 4', with hanger centres positioned 4' apart, maximum. For loads greater than 6lbs, SAS recommends using independent suspension.

Airtightness and Acoustics

The Alugrid-P Cleanseal grid option creates an airtight barrier between the grid and tile. This stops unwanted dirt getting in behind or falling through the tile. This can be a highly desirable trait in labs and Data Centre applications.

Partitioning and Signage

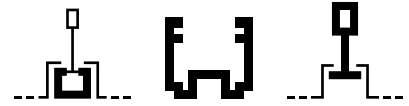
The continuous linear thread form allows the easy location and relocation of partition heads by means of a suitable bolt. The design of Alugrid-Q means this can happen repeatedly without causing damage. This same feature also allows for hanging signs and other lightweight features.



Technical Support

Please contact our technical team for all questions relating to access, security, bespoke features, service integration or load support.

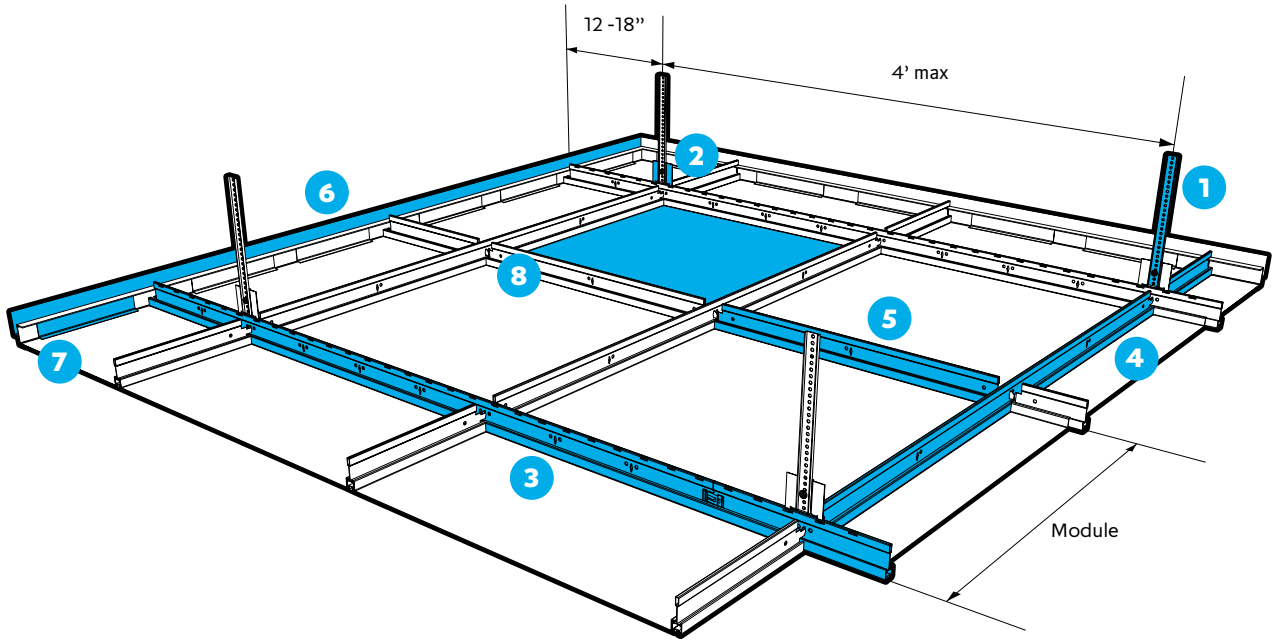
SAS130



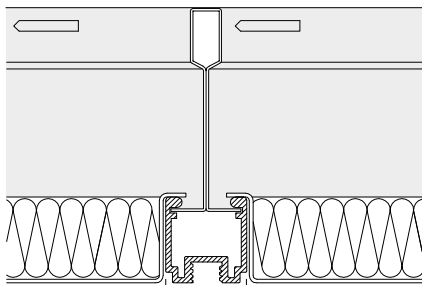
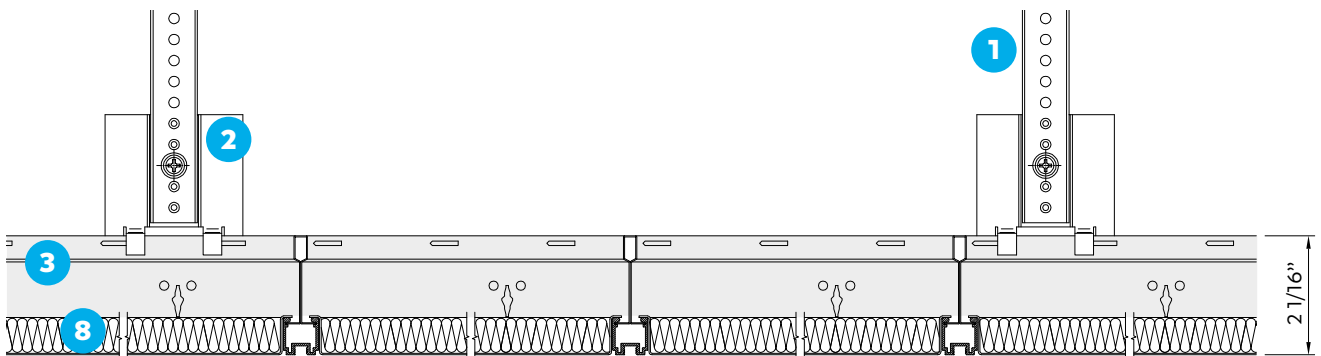
Perspective Drawing

- 1 Emac Hanger
- 2 Emac Suspension Bracket
- 3 Main Tee
- 4 Cross Tee
- 5 Noggin
- 6 Perimeter Trim
- 7 Perimeter Wedge
- 8 SAS130 Lay-in Tile

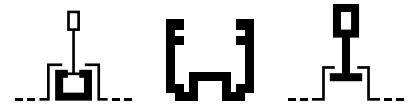
*Lightweight installations only, see page 246 for full details.



Section and detail drawings

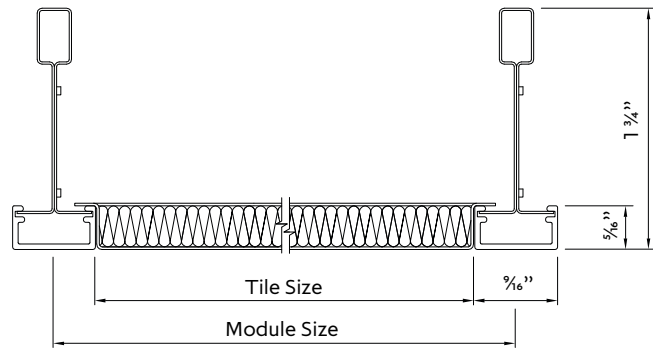


SAS130 | Grid options



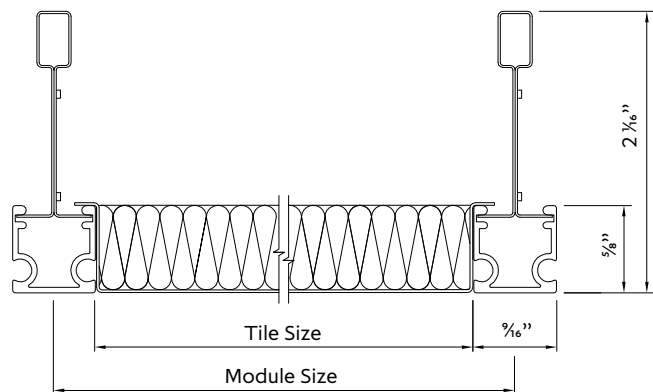
SAS Alugrid-P 15/08

Module size	Tile size
2' x 2'	1' 11 3/8" x 1' 11 3/8"
2' x 4'	1' 11 3/8" x 3' 11 3/8"
2'6" x 2'6"	2' 5 5/8" x 2' 5 5/8"



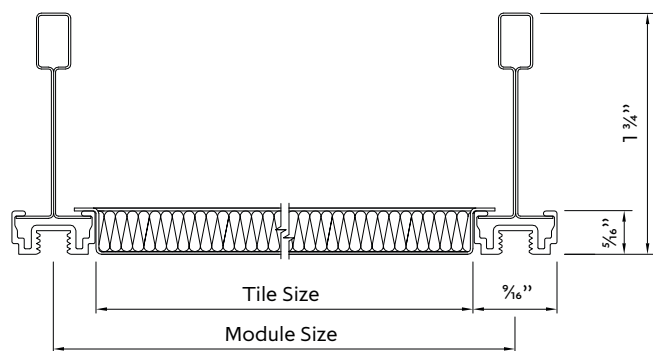
SAS Alugrid-P 15/16

Module size	Tile size
2' x 2'	1' 11 3/8" x 1' 11 3/8"
2' x 4'	1' 11 3/8" x 3' 11 3/8"
2'6" x 2'6"	2' 5 5/8" x 2' 5 5/8"



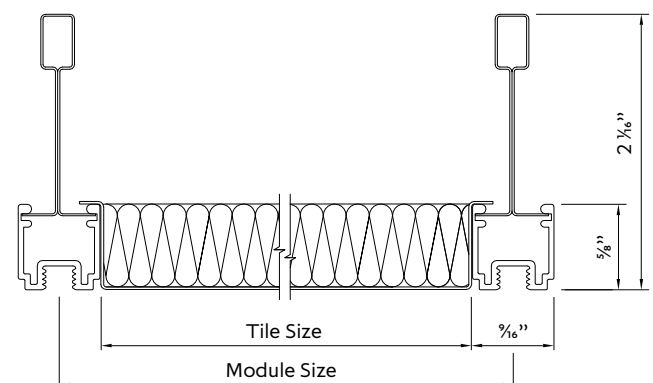
SAS Alugrid-Q 15/08

Module size	Tile size
2' x 2'	1' 11 3/8" x 1' 11 3/8"
2' x 4'	1' 11 3/8" x 3' 11 3/8"
2'6" x 2'6"	2' 5 5/8" x 2' 5 5/8"

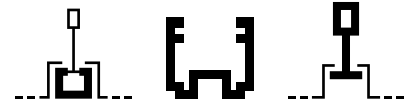


SAS Alugrid-Q 15/16

Module size	Tile size
2' x 2'	1' 11 3/8" x 1' 11 3/8"
2' x 4'	1' 11 3/8" x 3' 11 3/8"
2'6" x 2'6"	2' 5 5/8" x 2' 5 5/8"

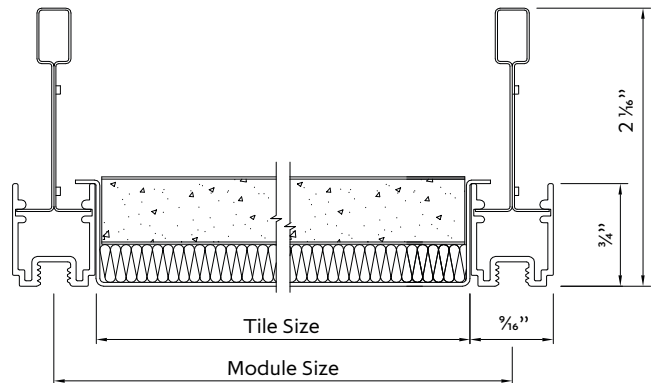


SAS130 | Grid options



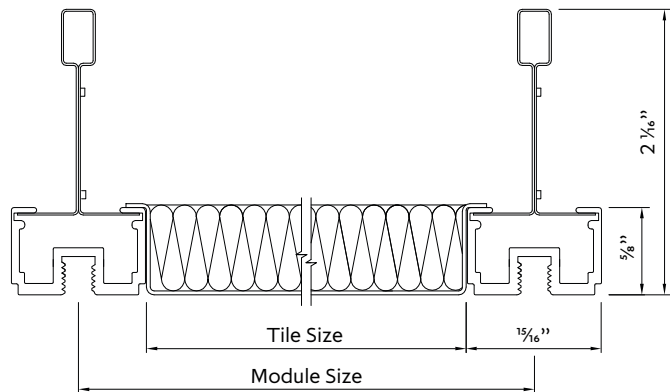
SAS Alugrid-Q 15/19

Module size	Tile size
2' x 2'	1' 11 3/8" x 1' 11 3/8"
2' x 4'	1' 11 3/8" x 3' 11 3/8"
2'6" x 2'6"	2' 5 5/8" x 2' 5 5/8"



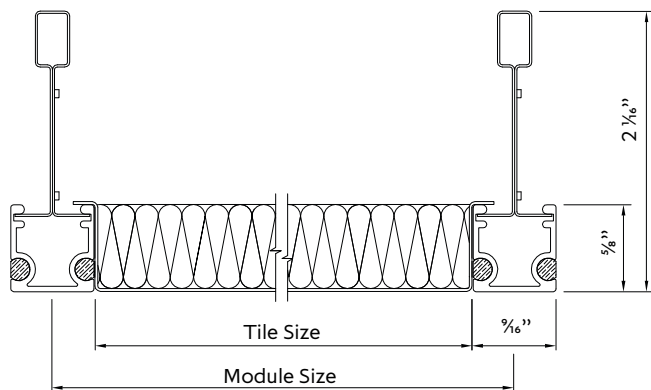
SAS Alugrid-Q 25/16

Module size	Tile size
2' x 2'	1' 11" x 1' 11"
2' x 4'	1' 11" x 3' 11"
2'6" x 2'6"	2' 5" x 2' 5"



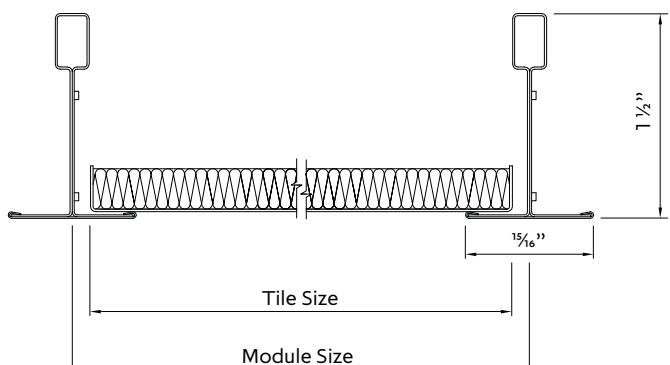
SAS Alugrid-P Cleanseal

Module size	Tile size
2' x 2'	1' 11 3/8" x 1' 11 3/8"
2' x 4'	1' 11 3/8" x 3' 11 3/8"
2'6" x 2'6"	2' 5 5/8" x 2' 5 5/8"

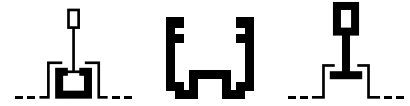


SAS T24 Square Edge

Module size	Tile size
2' x 2'	1' 3/4" x 1' 3/4"
2' x 4'	1' 3/4" x 3' 3/4"
2'6" x 2'6"	2' 5 3/4" x 2' 5 3/4"

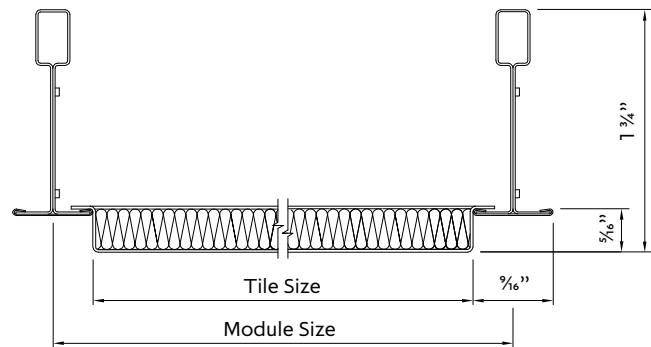


SAS130 | Grid options



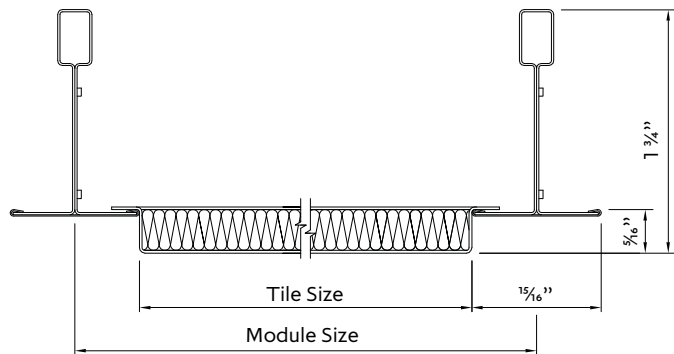
SAS T15 Tegular

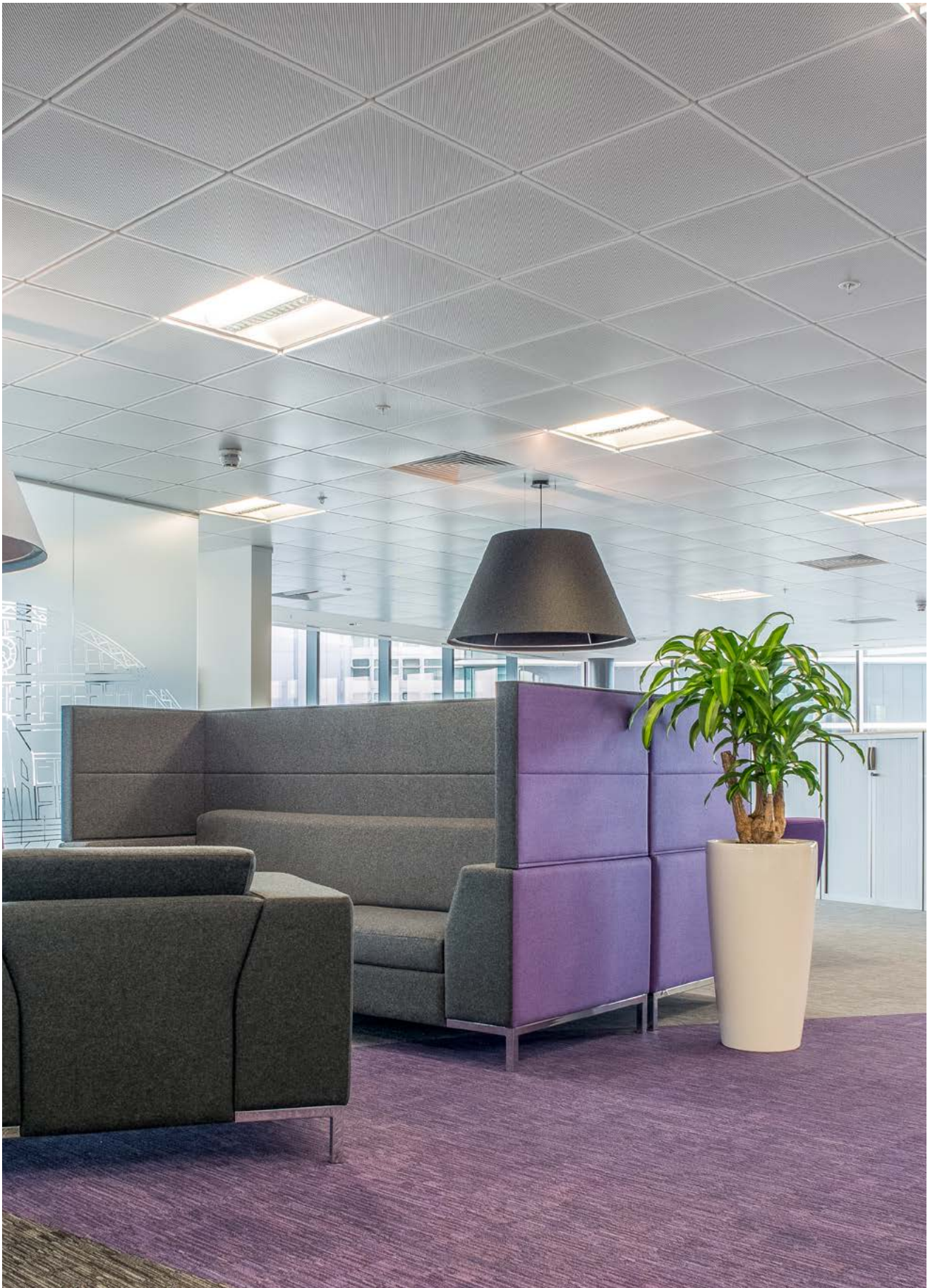
Module size	Tile size
2' x 2'	1' 11 3/8" x 1' 11 3/8"
2' x 4'	1' 11 3/8" x 3' 11 3/8"
2'6" x 2'6"	2' 5 5/8" x 2' 5 5/8"



SAS T24 Tegular

Module size	Tile size
2' x 2'	1' 11" x 1' 11"
2' x 4'	1' 11" x 3' 11"
2'6" x 2'6"	2' 5" x 2' 5"





SAS**130**

101 The Embankment

Location
Manchester, UK
Architect
Flanagan Lawrence

Contractor
TSK Group
Purpose
Commercial



SAS**130**

4 Matthew Parker Street

Location
London, UK
Architect
CBRE Ltd

Contractor
BW Interiors Ltd
Purpose
Commercial