



SAS730



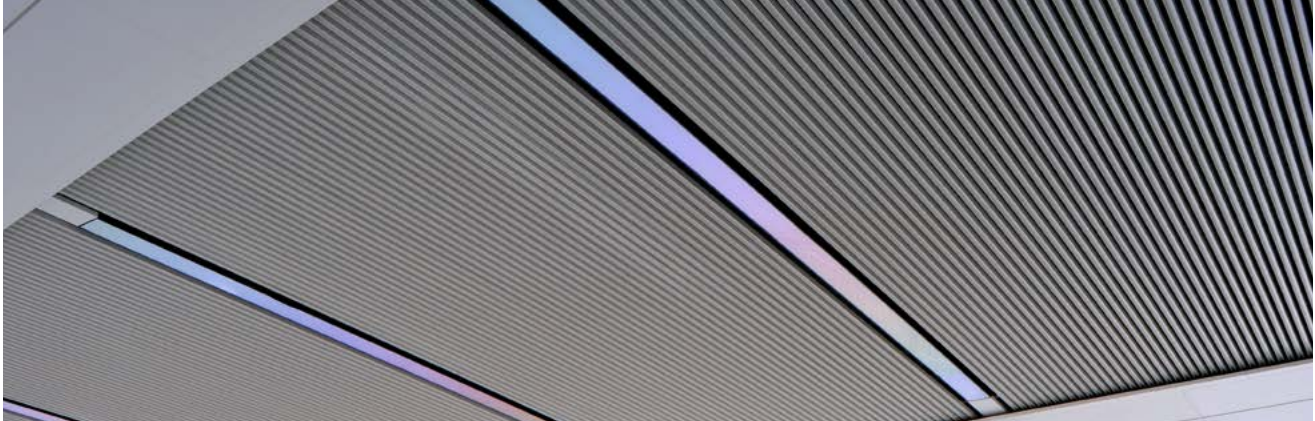
A discontinuous aluminum profile ceiling offering alternate profiles for a completely different aesthetic.

SYSTEM GROUP	SUSPENSION METHOD	
	EMAC Channel	
Linear profile ceiling		
PROFILE	MATERIAL	
	Aluminum	
Clip-in H and U form extrusions		
APPLICATION	END CAPS	
Interior and exterior	X	
ACCESS	SYSTEM WEIGHT	LIFE EXPECTANCY
Limited access – standard system	0.8/ft + Grid	25yr
In excess of		

SAS **PLUS**

HAVE A QUESTION?

Configurable with other products. Call us.
Contact us on enquiries@sasint.us



SAS730 is a linear profile system offering ‘H’ and ‘U’ formed profiles for an alternative aesthetic finish. The system is ideally suited to premium retail environments and other, similar high traffic areas requiring smoke extraction applications.

As an aluminum-extruded profile system, SAS730 offers superior quality, bespoke finishes and can accommodate complex geometry.

Profile Sizes

Length	10' Max.
Width	1' Min

Bespoke profile sizes and waveform profiles are available on request. SAS730 is limited to 10' lengths max.

Access

SAS730 offers limited access as standard. Integral access hatches can be achieved as a non-standard offering.

Finishes

SAS730 is available in all standard SAS finishes, please refer to page 110. Bespoke finishes are available on request, including polished and anodised.

Service Integration

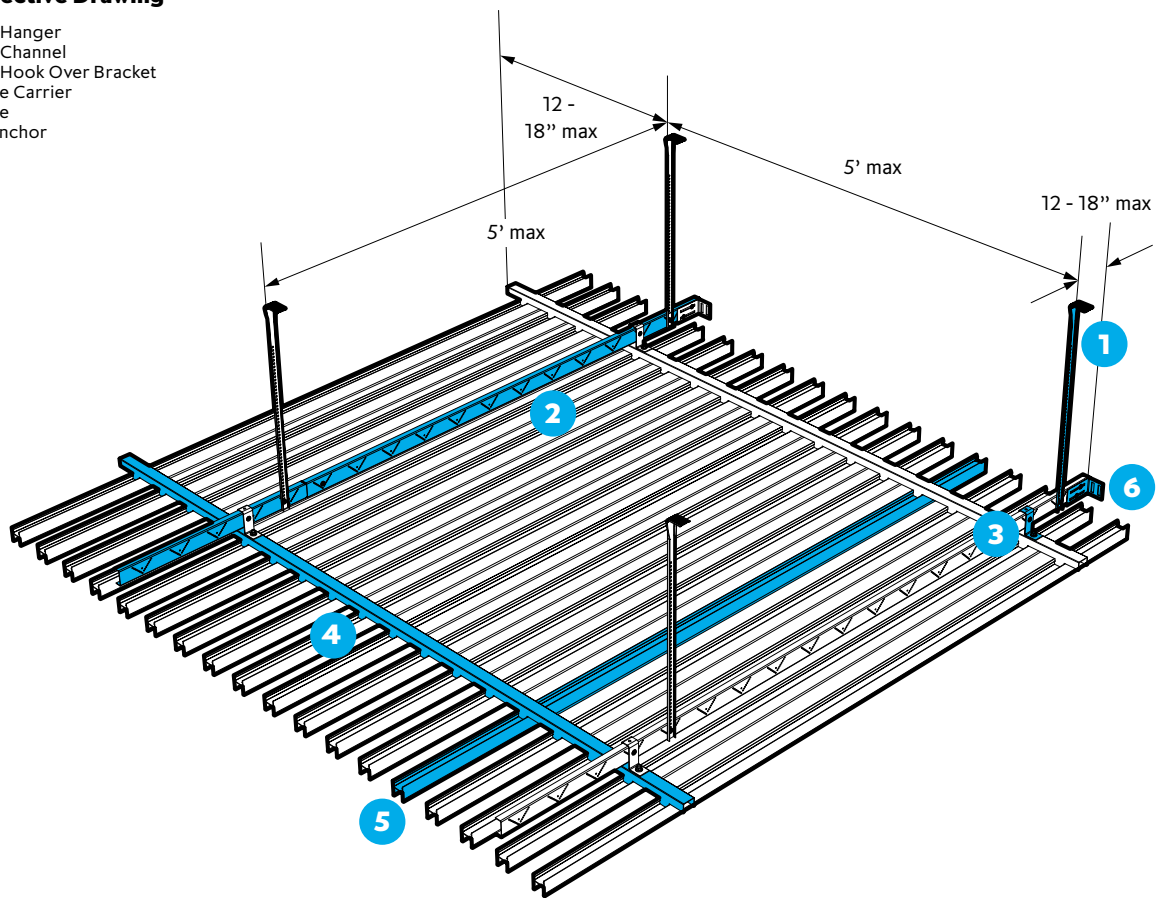
Service integration is limited to separately mounted services in between profiles.

Technical Support

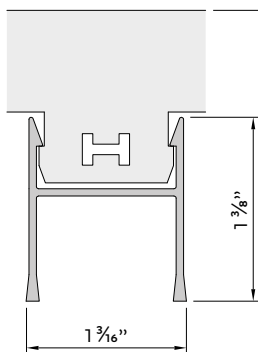
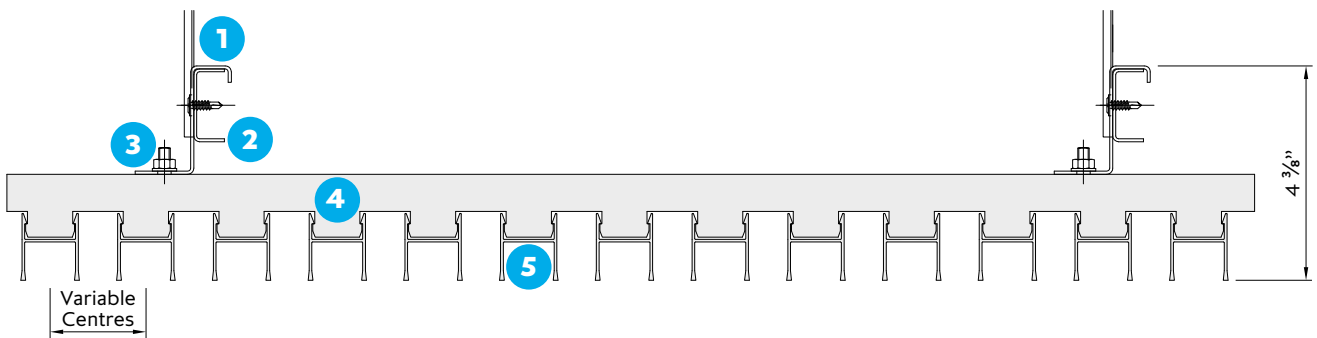
Please contact our technical team for all questions relating to access, bespoke features and service integration.

Perspective Drawing

- 1 Emac Hanger
- 2 Emac Channel
- 3 Emac Hook Over Bracket
- 4 H-Line Carrier
- 5 H-Line
- 6 Wall anchor

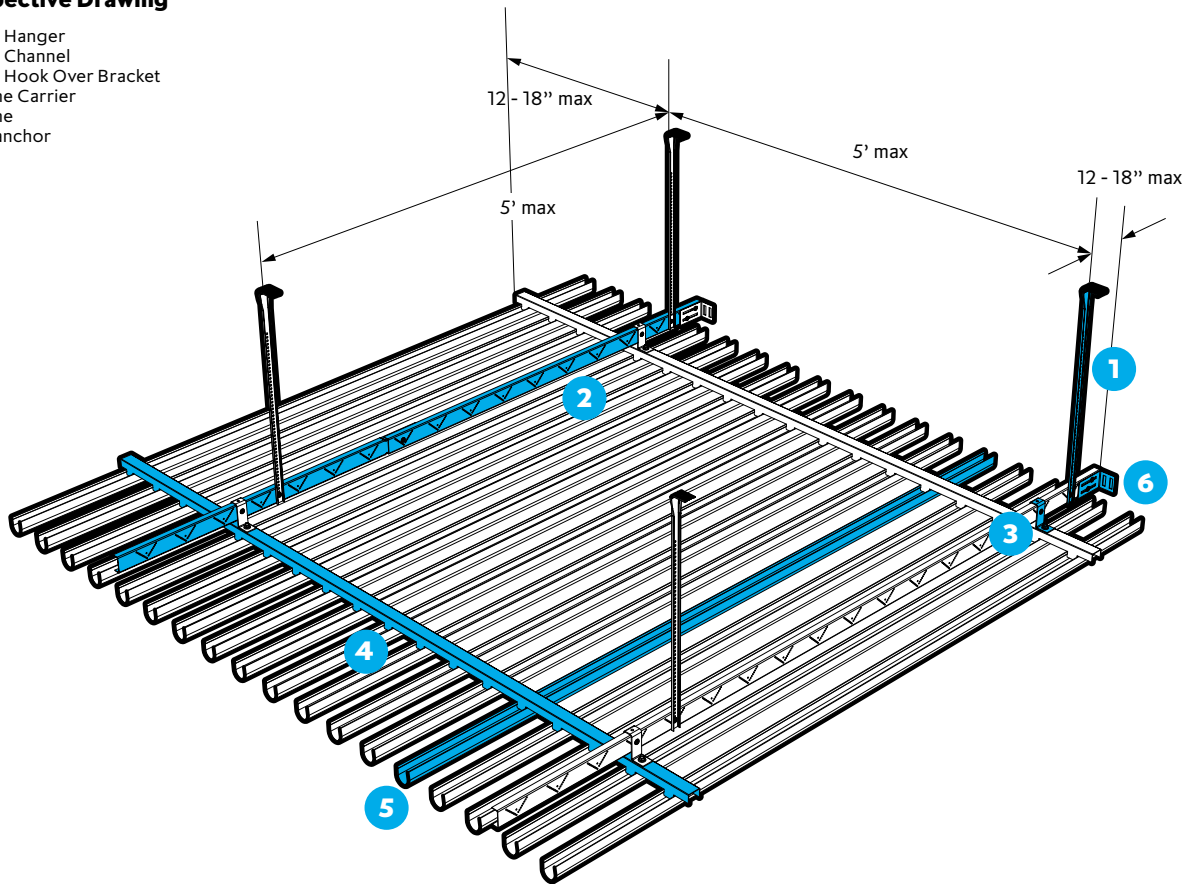


Section and detail drawings

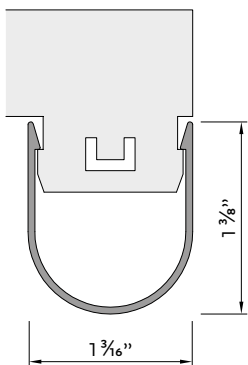
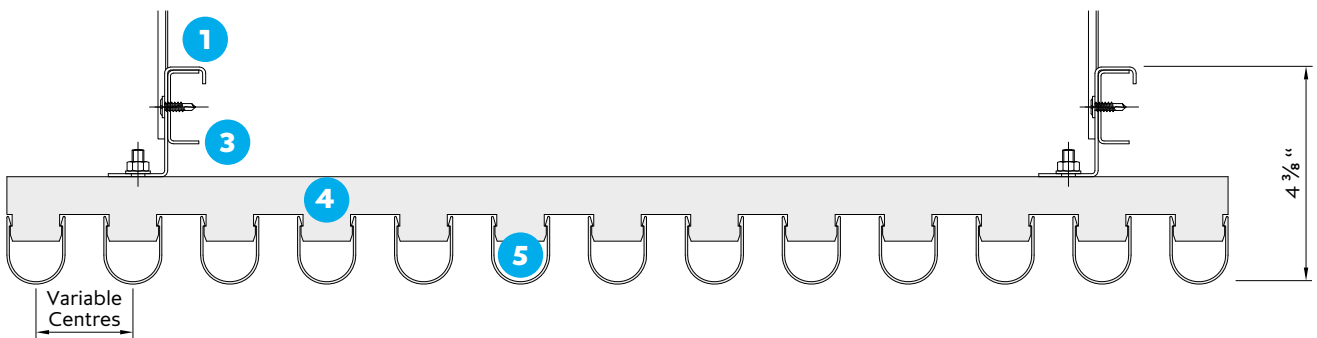


Perspective Drawing

- 1 Emac Hanger
- 2 Emac Channel
- 3 Emac Hook Over Bracket
- 4 U-Line Carrier
- 5 U-Line
- 6 Wall anchor



Section and detail drawings



Other profiles available for further information please contact the technical design team.



SAS**730**

Westfield, Stratford City

Location
London, UK
Architect
**Westfield Shopping
Towns Ltd**

Contractor
**Westfield Shopping
Towns Ltd**
Purpose
Retail



SAS**730**

M&S

Location
London, UK
Architect
MCM Architecture

Contractor
ISG Interior Exterior
Purpose
Retail