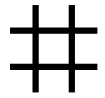
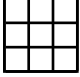



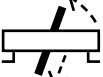
SAS800



A lightweight and quick to install, modular open cell ceiling with monolithic appearance for smoke extraction applications.

SYSTEM GROUP	GRID
 Open cell ceiling	9/16" Tee grid EMAC Hanger suspension

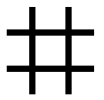
PROFILE
 Lay-in square

ACCESS	SYSTEM WEIGHT	LIFE EXPECTANCY
 Lift and tilt	0.6lbs/ft² Dependent on cell configuration	25yr In excess of

SAS PLUS

HAVE A QUESTION?

Configurable with other products. Call us.
Contact us on enquiries@sasint.us



SAS800 Trucell is a decorative open cell ceiling, for airflow and smoke extraction applications. The metal ceiling system comprises a series of open cell modules designed to lay onto a suspension grid. The ceiling tiles can integrate within other metal ceiling systems and plasterboard ceilings.

Trucell is ideal for retail, transport or leisure applications with high human traffic flow. Rapid and safe smoke extraction is critical in such environments.

Module Sizes

23 5/8" x 23 5/8" panels and 23 5/8" x 4' (nominal depth 1' 9/16).

Cell sizes are available in seven different configurations.

1 15/16" x 1 15/16"	4 3/4" x 4 3/4"
2 15/16" x 2 15/16"	5 7/8" x 5 7/8"
3 3/8" x 3 3/8"	7 7/8" x 7 7/8"
3 3/16" x 3 3/16"	

Bespoke modules and tile sizes are available, subject to the size being divisible by the available cell sizes.

Access

Tiles can simply be lifted and removed from the grid.

Finishes

International White Pre-coat as standard. SAS800 is also available in RAL colors and other bespoke PPC finishes on request.

Service Integration

Trucell allows fire detection and control systems, air conditioning and other services to be located within the ceiling void. Traditional decorative lighting and LEDs can be installed within single or multiple adjacent cells.

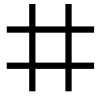
Open Area

Open area is dependent on panel size. Based on a 23 5/8" x 23 5/8" panel, the cell configurations will have the corresponding open area:

Cells	Open Area
7 7/8" x 7 7/8"	85.6%
5 7/8" x 5 7/8"	82.2%
4 3/4" x 4 3/4"	77%
3 15/16" x 3 15/16"	74%
3 3/8" x 3 3/8"	70%
2 15/16" x 2 15/16"	66.1%
2 3/8" x 2 3/8"	56%
1 15/16" x 1 15/16"	49%

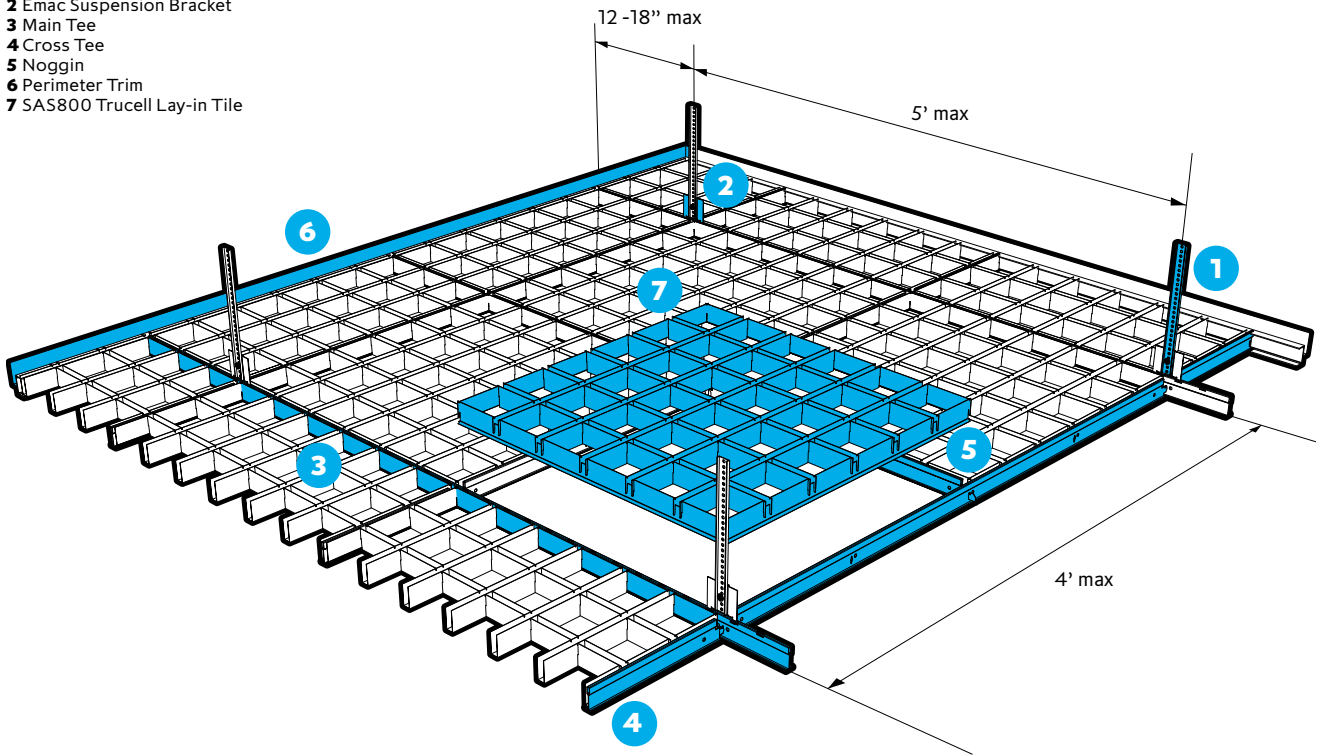
Technical Support

Please contact our technical team for all questions relating to access, security, bespoke features, service integration or load support.

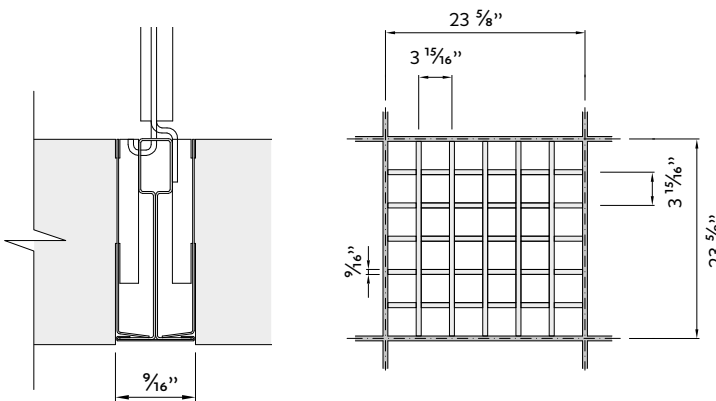
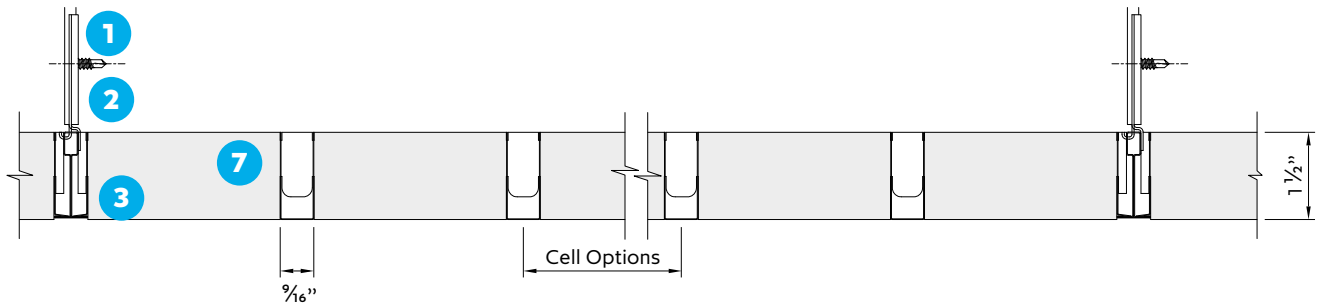


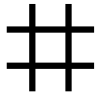
Perspective Drawing

- 1 Emac Hanger
- 2 Emac Suspension Bracket
- 3 Main Tee
- 4 Cross Tee
- 5 Noggin
- 6 Perimeter Trim
- 7 SAS800 Trucell Lay-in Tile



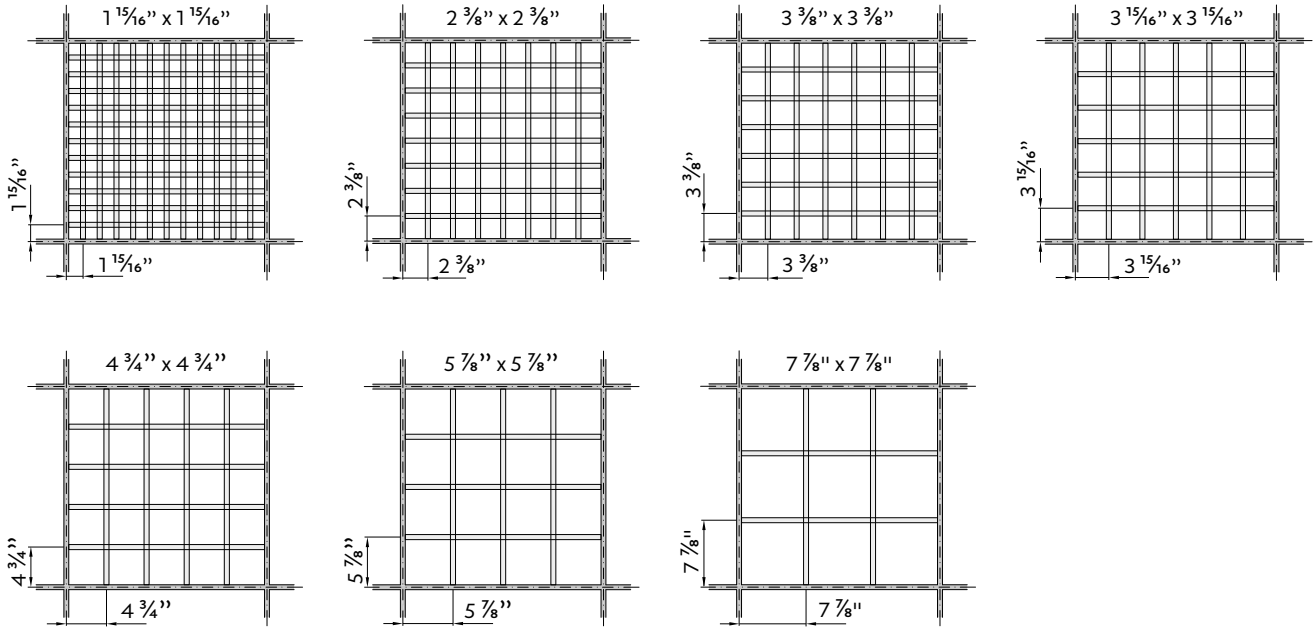
Section and detail drawings





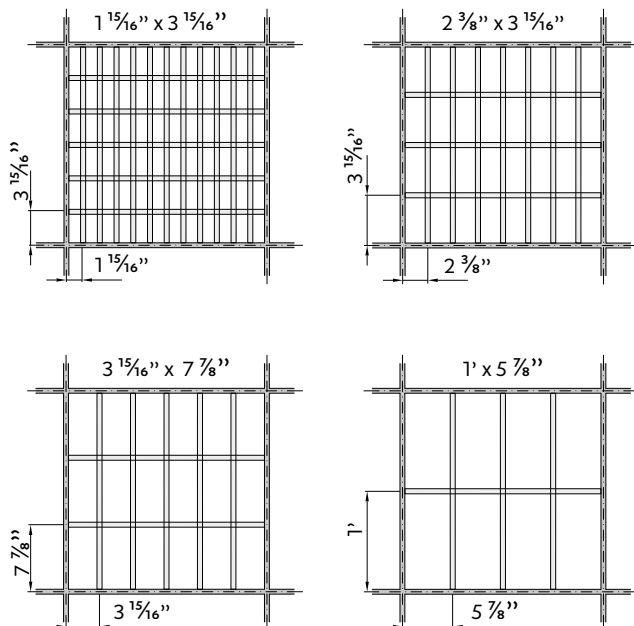
Square Cells

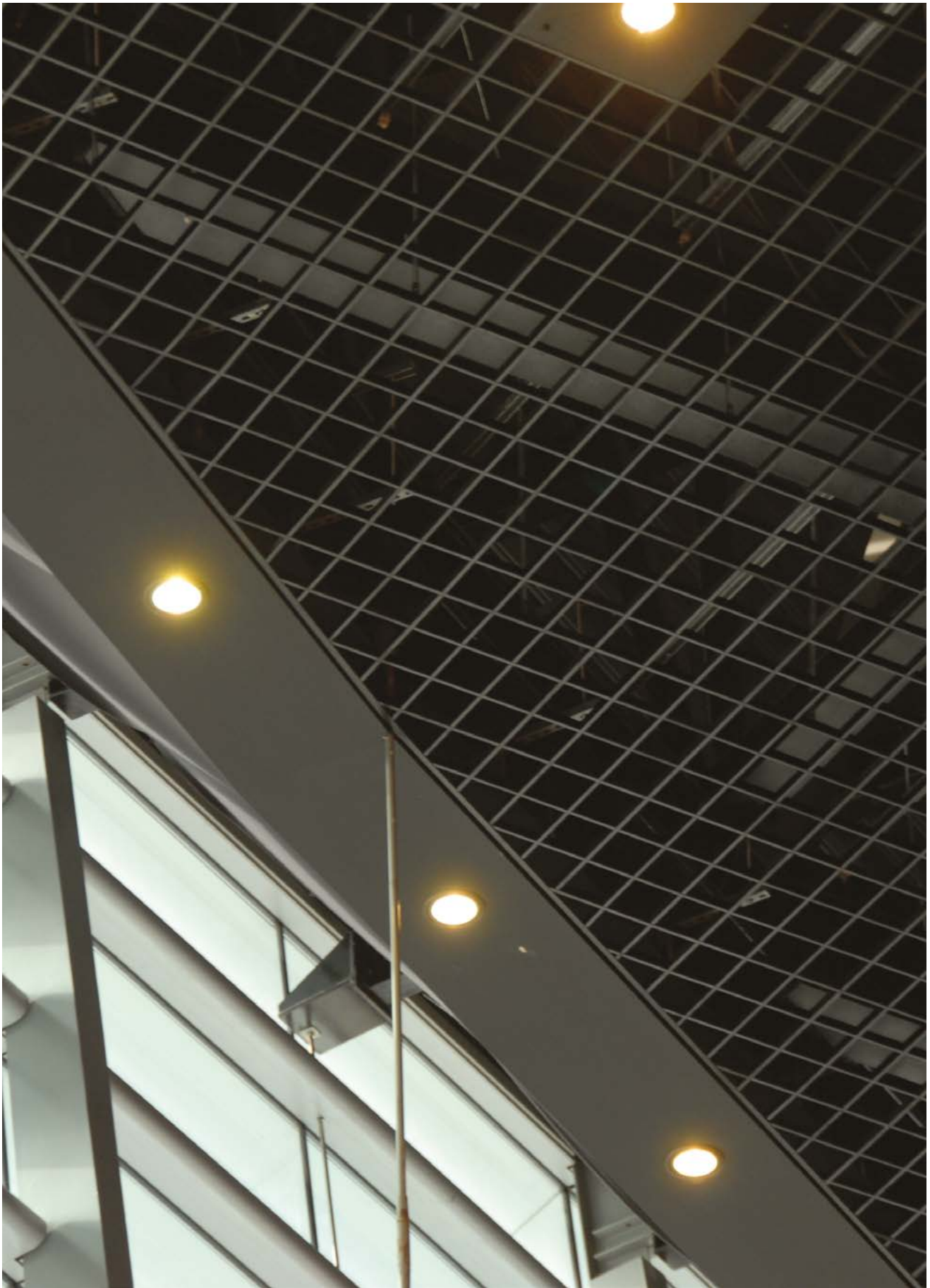
Standard cell sizes for 23 5/8" module



Rectangle Cells

Standard cell sizes for 23 5/8" module





SAS**800**

The Curve

Location
Leicester, UK
Architect
**Rafael Vinoly
Architects**

Contractor
Lendlease
Purpose
Leisure



SAS**800**

Westpac, Barangaroo

Location
Sydney, Australia
Architect
Geyer

Contractor
Lendlease
Purpose
Commercial