
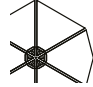




SAS900



SAS900 Polynode is an adjustable nodal ceiling system used to create multi-faceted ceiling designs.

SYSTEM GROUP		GRID	
			
Suspended ceiling		Concealed grid SAS torsion spring suspension	
TILE		ACOUSTICS	
		0.65 - 1	
Torsion spring		NRC	
ACCESS	SYSTEM WEIGHT	LIFE EXPECTANCY	
	2.2lbs/ft²	25yr	
Hinge down access		In excess of	

SAS
PLUS

HAVE A QUESTION?

Configurable with other products. Call us.
Contact us on enquiries@sasint.us



SAS900 Polynode is an adjustable nodal ceiling system used to create multi-faceted ceiling designs. This polynodal system meets the demand of specifiers who desire a free-form ceiling surface which contributes to modern building design.

Simple equilateral triangle tiles can create a near infinite variety of polyhedral ceiling forms. Our patented nodal system can also be used to transition from ceiling to wall.

Access

SAS900 offers full access by way of hinge down tiles, suspended vertically from two nodes. Alternatively, tiles can be completely removed.

Grid System

- System allows for faceted horizontal to vertical transitions (ceiling to wall)

Highly complex geometrical surfaces can be installed using standard components, simply by adjusting the vertical position of the node. Corner anchor points suspend tiles which can be adjusted to create a free form ceiling. Our patented nodal system can also be used to transition from ceiling to wall.

Perforation

SAS900 Polynode tiles can be supplied with any standard SAS perforation pattern. Bespoke patterns are also available on request.

Acoustic Treatment

Acoustic mineral wool with black tissue face, foil back and sides. Other acoustic treatments are available, depending on project requirement. Please contact our technical department for more information.

Weights & Sizes

- 2.2 lbs ft²
- Standard modules are mounted on EMAC grid with 3' centres
- Standard nodes are mounted every 4'
- Tiles are triangular as standard (3' 2 9/16" on all sides)
- Min/Max tile dimensions are 11" - 4' 3"

Just one tile size significantly reduces the design and manufacturing costs associated with this type of geometric ceiling. Whilst the system is drawn as standard with triangular tiles, any number of simple polygonal shapes can be manufactured. Please contact our technical design team for more details.

Integration

Ceiling tiles can be formed with apertures during manufacturing for integration with lights and other services. SAS900 panels may require stiffeners to support centrally mounted lighting.

Lighting and other mechanical and electrical services can add significant loads to a ceiling. Loads applied to SAS900 ceiling tiles must not exceed 4lbs. For loads greater than 4lbs, we would recommend using independent suspension.

If you have a concern over loads, please contact our technical team for advice.

Finishes

- RAL 9010, 9003 and 9016 (Whites) polyester powder coat (PPC) as standard
- Available in full range of standard RAL colors
- Anti-Microbial PPC coatings (optional)

Other specialist finishes are available on request. For more information on non-standard finishes, please contact our technical services team.

Standard System

Simplest version using a single size tile. Minimal or no design input (unless deviating from tile size and perimeter detail). Standard flat grid.

Advanced System

Simple curved grid allowing for more complex installations. May use some different size tiles. Will require some design input.

Bespoke Designs

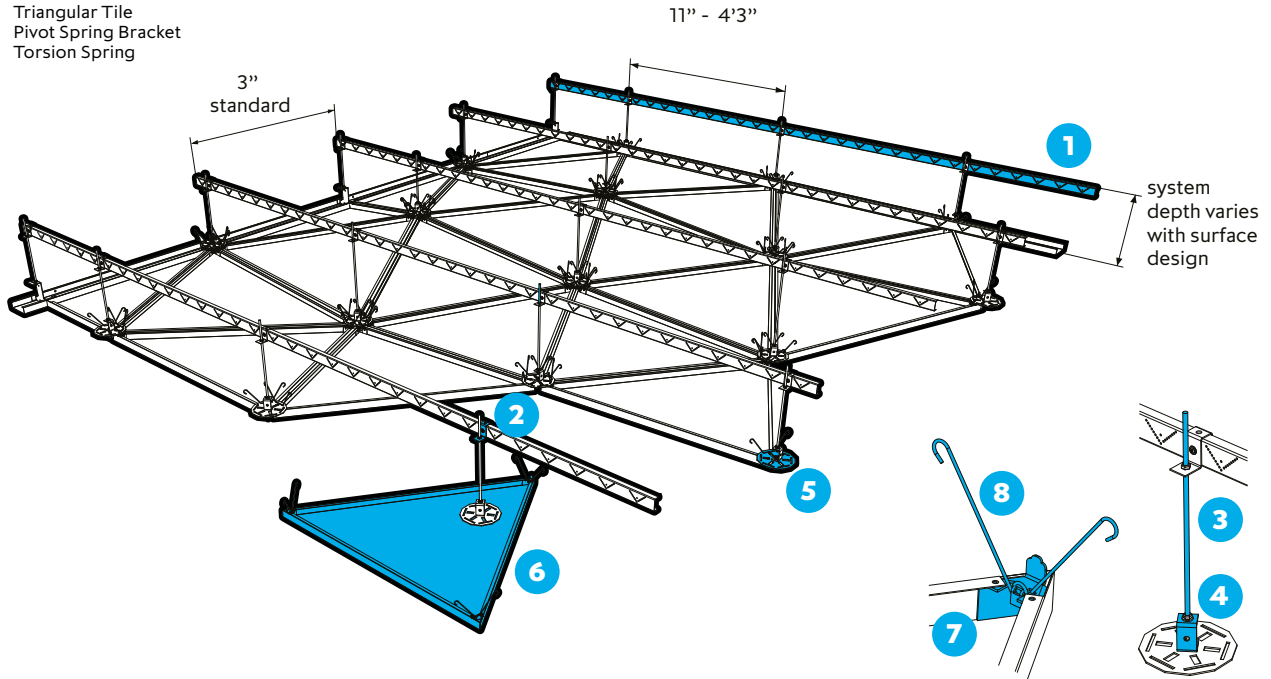
SAS900 Polynode can replicate almost any complex geometry. For fully bespoke designs, SAS Special Projects can assist you in realising highly complex designs from concept to completion. Please contact SAS Special Projects for further information on this design service.

SAS900 Polynode

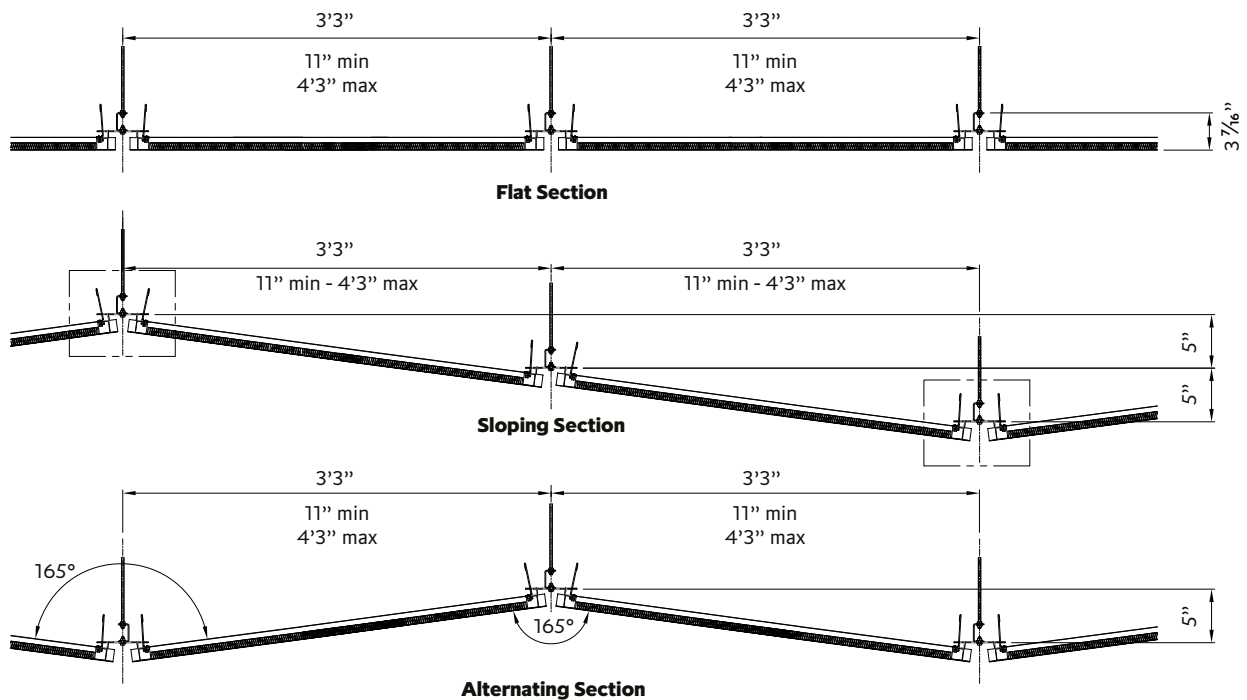


Perspective Drawing

- 1 Emac Grid
- 2 Emac Hook-over Bracket
- 3 Threaded Rod
- 4 Basic Node Bracket
- 5 6 Point Node Plate
- 6 Triangular Tile
- 7 Pivot Spring Bracket
- 8 Torsion Spring



Section Drawing

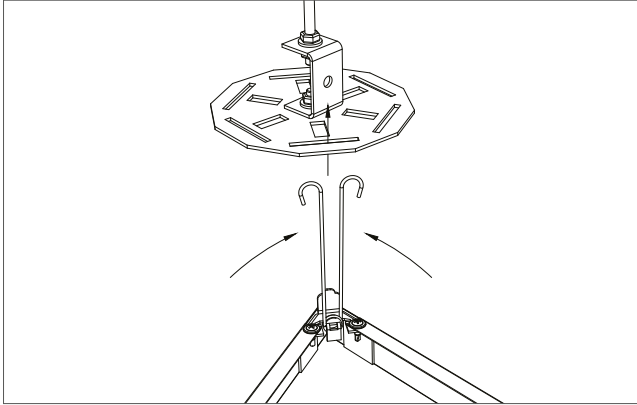


SAS900 Polynode

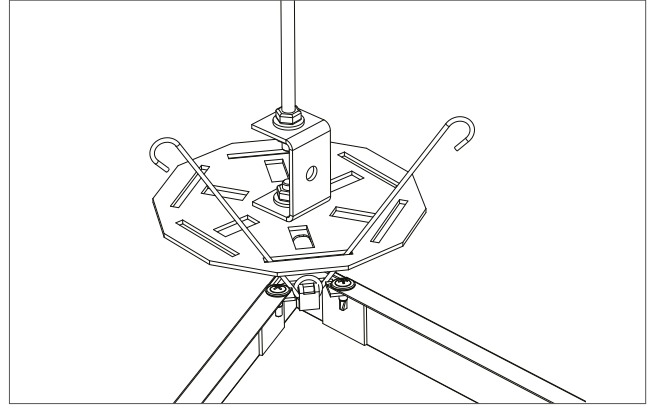


Features

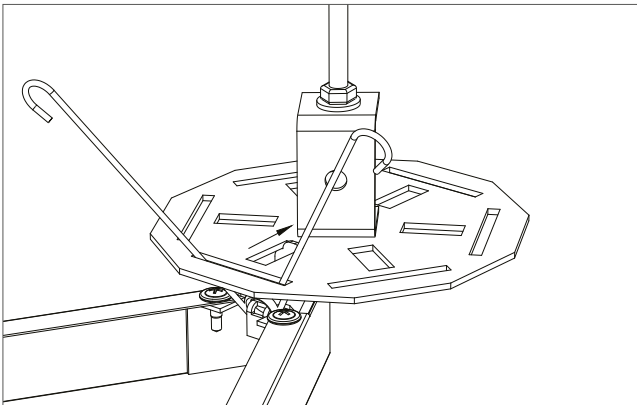
At the core of SAS900 Polynode is a flexible node interface which allows a single size tile to fit.



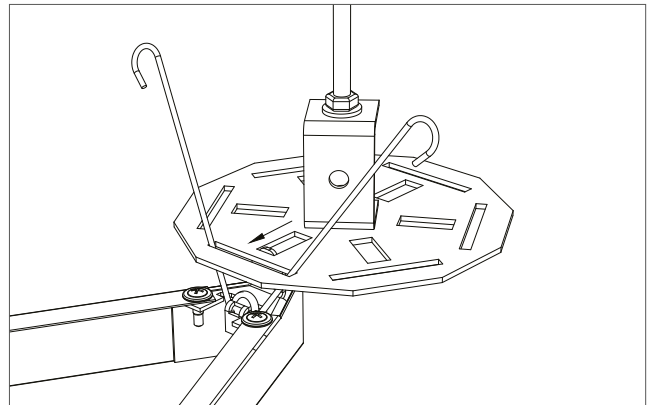
Tile installation



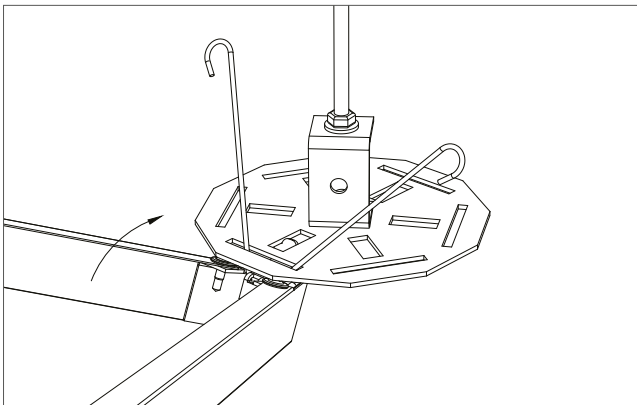
Tile in default position



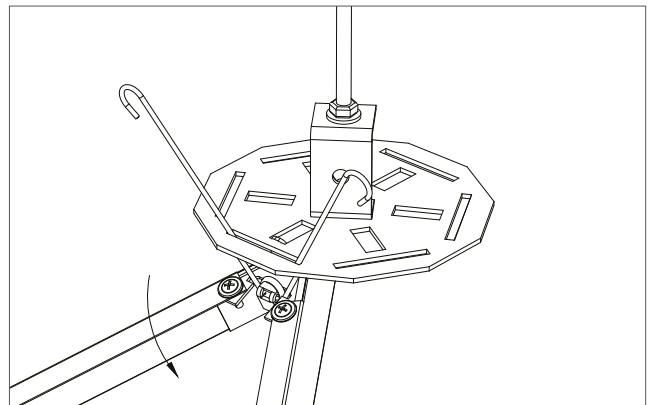
"Compressed" tile



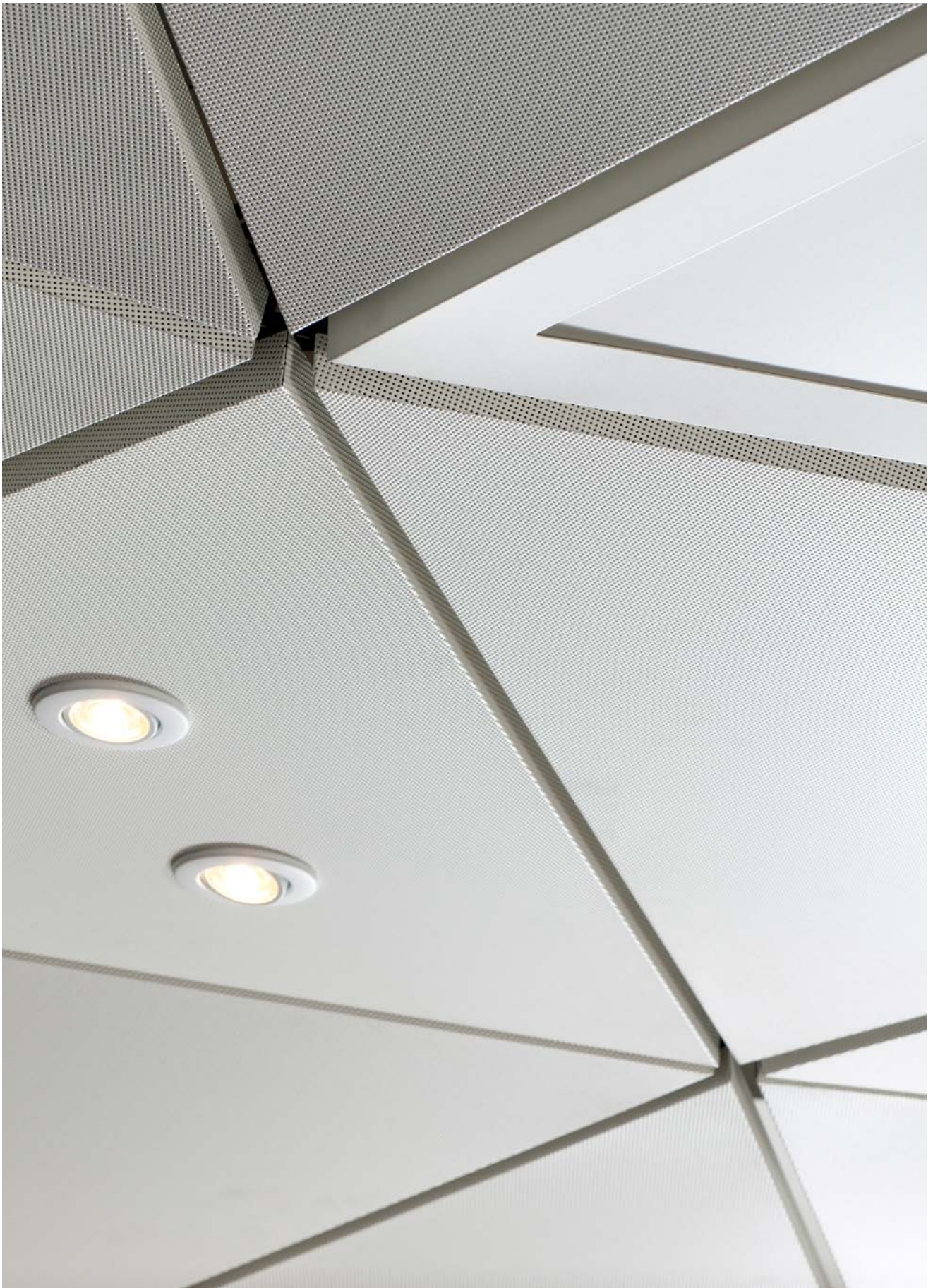
"Stretched" tile



Pivoting up



Pivoting down



SAS**900** Polynode



SAS**900** Polynode