




SAS600



Modular plain or perforated acoustic raft and modules with service integration options.

SYSTEM GROUP		SUSPENSION METHOD	
		Threaded rod with suspension channel	
Ceiling rafts			
PANEL			
			
Hook-on		Square or Rectangle	
ACOUSTICS			
Design dependent		Design dependent	
NRC		Dnfw	
ACCESS	SYSTEM WEIGHT	LIFE EXPECTANCY	
Rafts are open systems. When grouped as islands, full access is available	2.8lbs/ft² Linear	25yr	
	Based on 4' x 2' tiles	In excess of	

SAS PLUS

HAVE A QUESTION?

Configurable with other products. Call us. Contact us on enquiries@sasint.us



SAS600 offers a variety of applications from the purely aesthetic to high performance acoustics with service integration. The rafts and modules are available in a range of curved, flat or angled profiles as standard. Bespoke designs can be achieved to realise highly aspirational interiors.

The flexibility of SAS600 rafts and modules makes them ideal for both new build and retrofit acoustic solutions.

Module Sizes

Length: 1' - 10'
Width: 1' - 4'

Module Shapes

Rafts and modules can be manufactured either flat or curved. Curved designs allow a larger acoustic area to be incorporated into the design.

Bespoke module sizes and shapes are available on request.

Finishes

SAS600 is available in all standard SAS finishes, please refer to page 110. Bespoke finishes are available on request.

Perforations

SAS600 can be manufactured with any standard SAS perforation pattern. For our full range of perforations, please refer to page 84. Bespoke perforations are also an option.

Acoustic Materials

Tissue wrapped acoustic mineral wool pad. Other acoustic materials are available, please refer to page 17.

Service Integration

Rafts and modules can be manufactured with other M&E services.

Cross Ventilation

Ceiling mounted acoustic rafts provide acoustic absorption whilst allowing the concrete soffit to be fully exposed for energy-efficient natural cross ventilation cooling.

Combination Ceilings

Rafts and modules provide high levels of sound absorption. For demanding environments they can be installed in conjunction with a suspended metal ceiling.

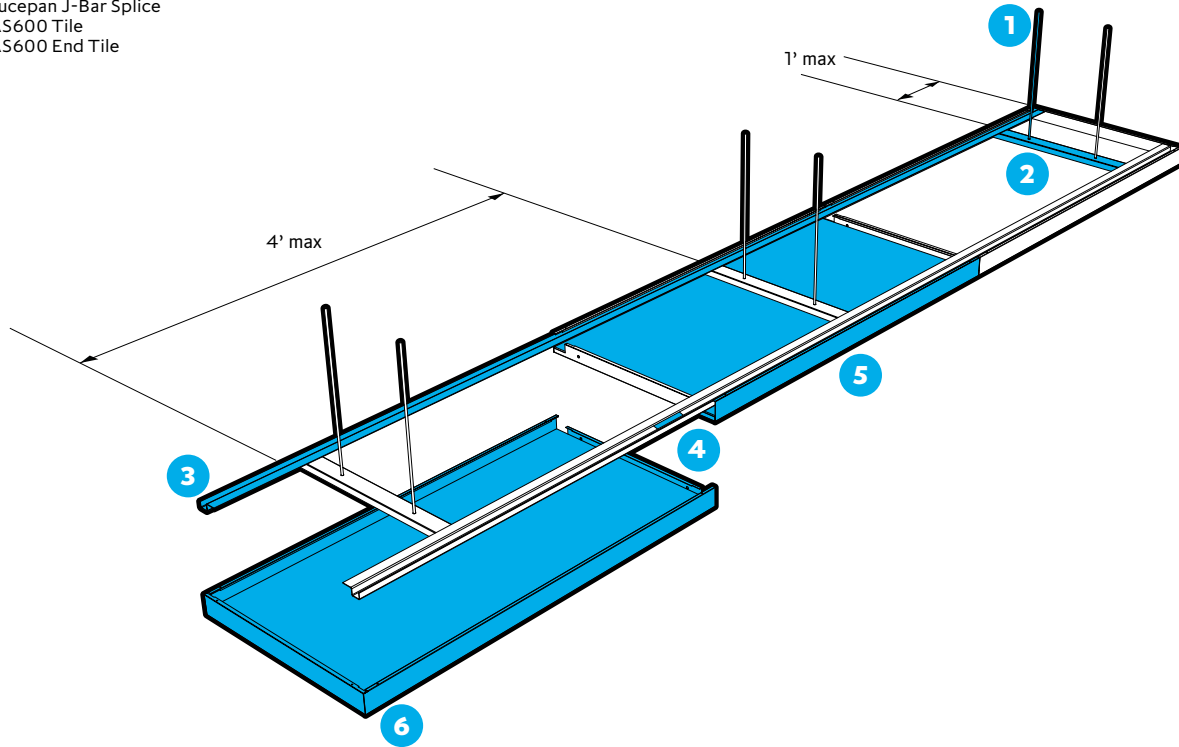
Technical Support

Please contact our technical team for all questions relating to access, security, bespoke features, service integration or load support.

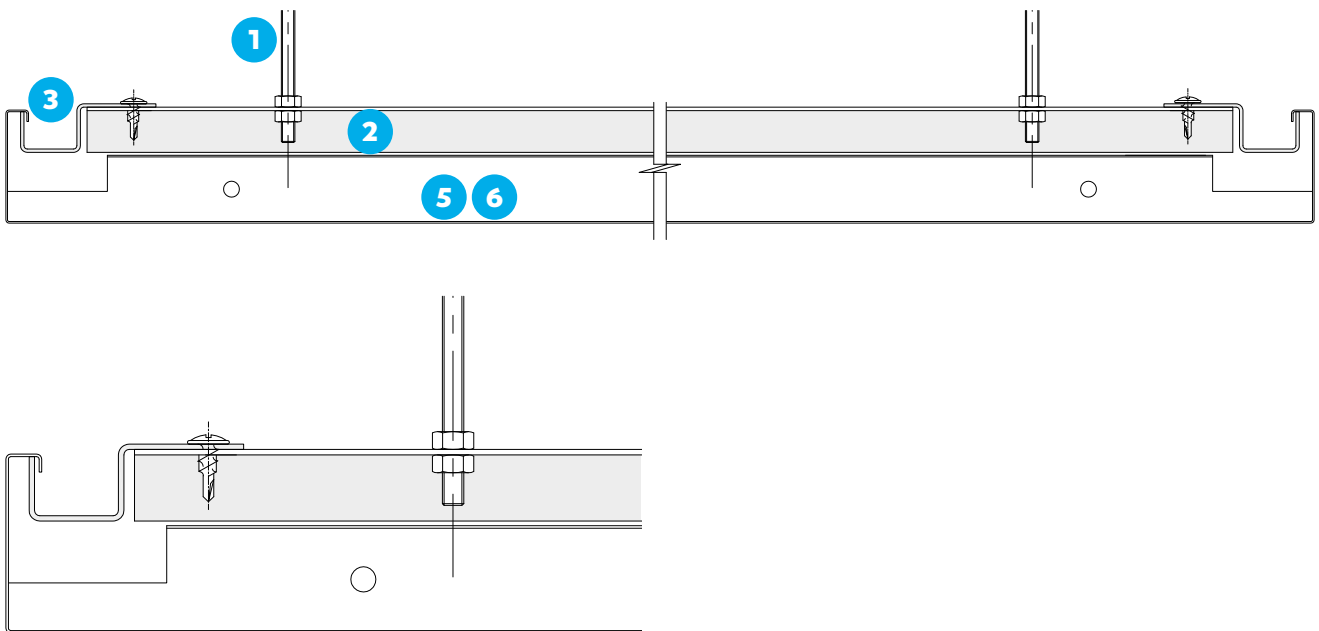
Perspective Drawing

- 1 Threaded Rod
- 2 Support Channel
- 3 Saucepan J-Bar
- 4 Saucepan J-Bar Splice
- 5 SAS600 Tile
- 6 SAS600 End Tile

*Lightweight installations only, see page 250 for full details.



Section and detail drawings





SAS**600**

2 Sempie Street

Location
Edinburgh, Scotland
 Architect
**Michael Laird
 Partnership**

Contractor
**McLaughlin and
 Harvey**
 Purpose
Commercial